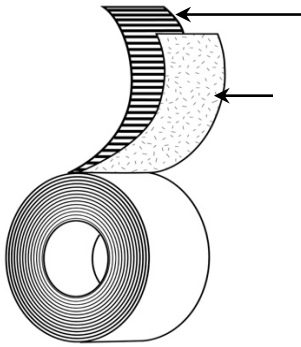


Professional Nuclear Grade Duct Tape



Backing

Adhesive



Backing: PE Coated Cloth

Adhesive: Rubber

Liner: N/A

Colors: White, Yellow, Silver

Specifications: Meets NRC Reg 1.38 & ASME NQA-1
 Tested in accordance with UL 723

Standard Sizes: 48mm x 55m, 72mm x 55m

Applications

- Multiple uses in powerplants and on ships
- Heavy-duty packaging and bundling
- Color Coding
- Holding dosimeters, securing clothing and gloves, wrapping pipe ends, insulation, and duct sealing

Features

- PE-Coated Cloth Backing
- Natural Rubber Adhesive

Benefits

- Excellent balance of tensile strength and tearability
- Aggressive adhesion to rough surfaces
- Superior holding power for hanging applications

Typical Test Values

	Standard UOM	Metric UOM	Test Method
Total Thickness	11.0 mils	0.279 mm	ASTM D-1000
Adhesion to Steel	99 oz/in	10.80 N/cm	PSTC-101
Tensile Strength	23 lb/in	40.30 N/cm	ASTM D-1000
Operating Temperature	40 to 200 °F	4 to 93 °C	
Elongation	21%		ASTM D-1000
VOC Content	<1 g/L		

Recommended Storage Conditions: 60-80 °F at 40-60% RH
 Standard Shelf Life (at 25 °C): 36 months from date of manufacture.

The information presented herein was prepared at VYBOND GROUP, INC. (Vybond Group, Inc. 2320 Bowling Green Road, Franklin, KY 42134) by qualified technical personnel. To VYBOND'S knowledge, it is true and accurate. However, the information and recommendations are furnished for these products with the understanding that the purchaser or user, as the case may be, will independently determine that the product is suitable for the intended use, and that such use complies with all applicable federal, state, and local laws and regulations. The data are submitted only for the user's information and consideration, and do not constitute a warranty of any kind (including but not limited to a warranty of merchantability or of fitness for a particular purpose), or a representation for which VYBOND assumes any legal responsibility.