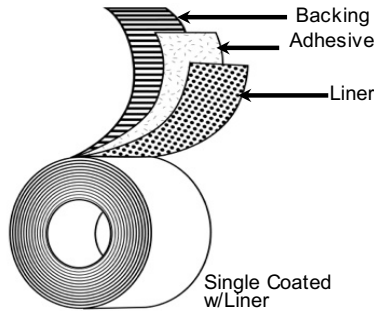




5097-53

Preservation and Sealing Tape



- Backing:** UV Stabilized LDPE Film
- Adhesive:** Acrylic (A128)
- Liner:** 53# Coated Kraft
- Colors:** White
- Specifications:** N/A
- Size Options:** Incremental widths 1/4" - 48" x 24ft or 48ft

Applications

- Long-term preservation, sealing, and splicing
- Direct protective mask on aircraft, trucks, boats, and industrial equipment during outdoor storage
- Splicing, seaming, and sealing polyethylene films
- Used in conjunction with outdoor shrink film to secure film and seal film edges during transport or extended outdoor storage

Features

- LDPE Film
- Acrylic Adhesive
- 53# Coated Kraft Liner

Benefits

- Conformable for irregular surfaces
- Abrasion resistant
- UV and weather resistant
- Moisture, solvent, and chemical resistant
- Good quick stick
- Excellent adhesion to PE and shrink film
- Excellent low-temperature adhesion
- Easy to use at wide widths

Typical Test Values

	Standard UOM		Metric UOM		Test Method
Total Thickness	9.0	mils	0.229	mm	PSTC-133
Substrate Thickness	7.5	mils	0.191	mm	PSTC-133
Adhesion to Steel	90	oz/in	9.85	N/cm	ASTM D-3330
Tensile Strength	18	lb/in	31.52	N/cm	ASTM D-3759
Elongation	600%				
Application Temperature	50 to 120 °F		10 to 49 °C		
Operating Temperature	-40 to 200 °F		-40 to 93 °C		

Recommended Storage Conditions: 40-60% Humidity, 60 - 80 °F
 Standard Shelf Life (at 25 °C): 12 months from shipment date

The information presented herein was prepared at VYBOND GROUP, INC. (Vybond Group, Inc. 2320 Bowling Green Road, Franklin, KY 42134) by qualified technical personnel. To VYBOND'S knowledge, it is true and accurate. However, the information and recommendations are furnished for these products with the understanding that the purchaser or user, as the case may be, will independently determine that the product is suitable for the intended use, and that such use complies with all applicable federal, state, and local laws and regulations. The data are submitted only for the user's information and consideration, and do not constitute a warranty of any kind (including but not limited to a warranty of merchantability or of fitness for a particular purpose), or a representation for which VYBOND assumes any legal responsibility.

