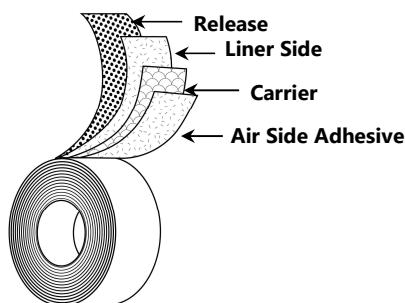


POLYKEN[®] 1393A

Double-Coated Tape



- Liner:** 76lb polycoated bleached kraft, silicone treated on both sides
- LS Adhesive:** Non-sensitizing acrylic (M106)
- Backing/Carrier:** 0.5 mil polyester film
- AS Adhesive:** Non-sensitizing acrylic (M106)

Applications

- Surgical drape fabrication and assembly
- Medical device attachment
- Medical device assembly
- Surgical drape attachment: drape to drape, drape to skin

Features

- PET Film Carrier
- Non-Sensitizing Acrylic Adhesive
- 76lb PC Bleached Kraft

Benefits

- Supports for aid in processing and application
- Conformable
- High tack for quick stick application
- Suitable for use on patient's skin
- Low COF for hand apply applications
- Good dimensional stability and moisture resistance

Typical Test Values

	Standard UOM	Metric UOM	Test Method
Total Thickness w/liner	8.7 mils	0.221 mm	PSTC 133
Adhesive Thickness (Air Side)	1.3 mils	0.033 mm	PSTC 133
Adhesive Thickness (Liner Side)	1.3 mils	0.033 mm	PSTC 133
Carrier Thickness	0.5 mils	0.013 mm	PSTC 133
Liner Thickness	5.6 mils	0.142 mm	PSTC 133
Adhesion to Steel (Air Side)	38 oz/in	4.16 N/cm	PSTC 101 Mod
Adhesion to Steel (Liner Side)	48 oz/in	5.25 N/cm	PSTC 101 Mod

Product Safety

The base adhesives in this medical product have been tested in accordance with ISO 10993 and found to be non-cytotoxic, non-sensitizing, and non-irritating.

Recommended Storage Conditions: 40-60% Humidity, 60 °F - 80 °F

The information presented herein was prepared at VYBOND GROUP, INC. (Vybond Group, Inc. 2320 Bowling Green Road, Franklin, KY 42134) by qualified technical personnel. To VYBOND'S knowledge, it is true and accurate. However, the information and recommendations are furnished for these products with the understanding that the purchaser or user, as the case may be, will independently determine that the product is suitable for the intended use, and that such use complies with all applicable federal, state, and local laws and regulations. The data are submitted only for the user's information and consideration, and do not constitute a warranty of any kind (including but not limited to a warranty of merchantability or of fitness for a particular purpose), or a representation for which VYBOND assumes any legal responsibility.