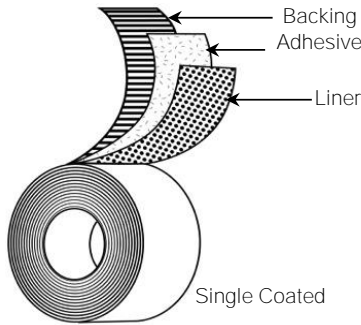




1800

Flame Retardant Galley Tape



- Backing: PVC Film
- Adhesive: Acrylic
- Liner: 53# Coated Kraft Paper
- Colors: Black
- Specifications: FAR 25.853(a) Appendix F for Interior Aircraft Use; Fokker FK05-159 & FK05-160; Bombardier 91-25-1, 91-25-2, 91-25-3, 91-25-4, 91-25-5, 9-25-6
- Size Options: Incremental sizes 1/4" - 54" x 108Ft

Applications

- Aircraft wet seal applications in main cabin areas such as galleys, lavatories, entryways, and other areas that are susceptible to moisture
- Aircraft corrosion inhibitor

Features

Benefits

- | | |
|---|---|
| <ul style="list-style-type: none"> • PVC Film Backing • Acrylic Adhesive • Kraft Paper Release Liner | <ul style="list-style-type: none"> • Tough and conformable • Exceptional moisture resistance • Allows wide-width usage • Flame retardant - meets key industry standards • Permanent bond, will not delaminate • Compatible with most sealants • Smooth clean release - easy to use • Die cuttable |
|---|---|

Typical Test Values

	Standard UOM		Metric UOM		Test Method
Total Thickness	9.5	mils	0.241	mm	PSTC-133
Substrate Thickness	8.5	mils	0.216	mm	PSTC-133
Adhesion to Steel	50	oz/in	5.47	N/cm	ASTM D-3330
Tensile Strength	25	lb/in	43.78	N/cm	ASTM D-3759
Puncture Resistance	12	lbs	5.44	kg	ASTM D-1000
Elongation	200%				
Application Temperature	50 to 120 °F		10 to 49 °C		
Operating Temperature	-40 to 200°F		-40 to 93°C		
Abrasion Index	34				ASTM D-4060

Recommended Storage Conditions: 40-60% Humidity, 60 - 80 °F
 Standard Shelf Life (at 25C): 12 months from shipment date

The information presented herein was prepared at BERRY GLOBAL, INC. (25 Forge Parkway Franklin, MA 02038) by qualified technical personnel. To Berry Global's knowledge it is true and accurate. However, the information and recommendations are furnished for these products with the understanding that the purchaser or user, as the case may be, will independently determine that the product is suitable for the intended use, and that such use complies with all applicable federal, state and local laws and regulations. The data are submitted only for the user's information and consideration, and do not constitute a warranty of any kind (including but not limited to a warranty of merchantability or of fitness for a particular purpose), or a representation for which BERRY assumes any legal responsibility.

